

1340-GEN-210-01 12/14

Coalescing & Particulate	12M Or	
Activated Carbon	6M	



0 PSIG  
(0 BARG)

01

02

03

04

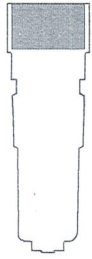
05

06

07

08

09

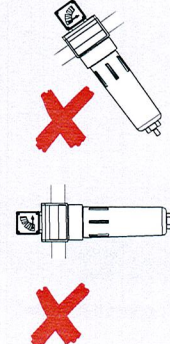
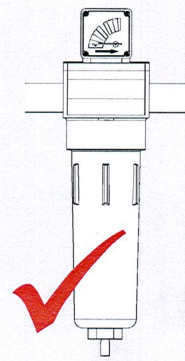


1340-GEN-210-01 12/14

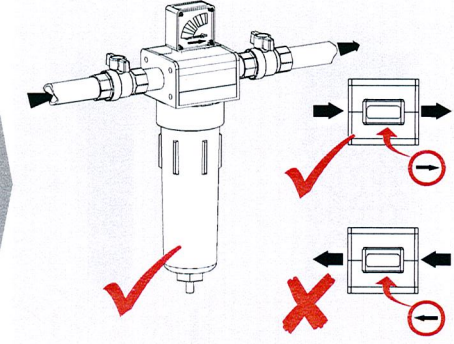


0 PSIG  
(0 BARG)

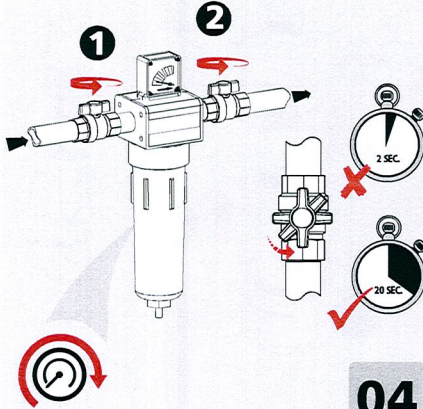
01



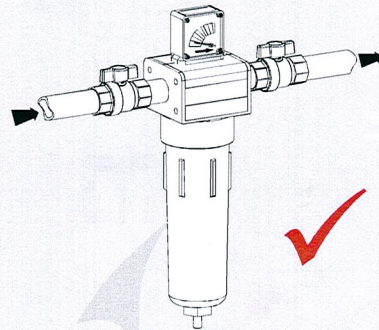
02



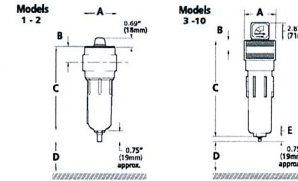
03



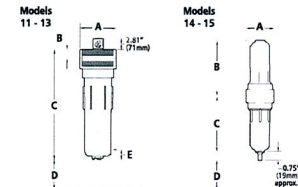
04



05



Max.  
248°F (120°C)  
Min.  
32°F (0°C)



Max.  
232 psig (16 barg)  
300 psig (20 barg)  
without Internal  
Float Drain

Operating Pressure psig (barg)	25 (1.7)	50 (3.4)	75 (5.2)	100 (7)	150 (10.3)	200 (13.8)	232 (16)	250 (17.2)	300 (20)
Correction Factor	0.50	0.71	0.87	1.00	1.22	1.41	1.52	1.58	1.73

**EN** Installation, maintenance and authorised disposal to be carried out by competent personnel only, in accordance with operating instructions, relevant standards, regulations and legal requirements. **DE** Installation, Wartung und Vernichtung dürfen nur von autorisiertem Fachpersonal und in Übereinstimmung mit der Bedienungsanleitung, den einschlägigen Normen, Vorschriften und gesetzlichen Bestimmungen durchgeführt werden. **FR** L'installation, la maintenance et l'élimination doivent uniquement être effectuées par des personnes qualifiées et autorisées, conformément aux instructions opérationnelles, aux normes pertinentes, aux exigences réglementaires et légales. **IT** Installare, overhaul en uitvoerig alleen uitgevoerd worden door vakkwalificatie en bevoegd personeel, conform de bedieningsinstructies, relevante normen, voorschriften en wettelijke vereisten. **JA** La instalación, el mantenimiento y la eliminación deberán llevarlos a cabo personal competente y autorizado únicamente, de acuerdo con las instrucciones de funcionamiento y con las normativas, reglamentos y requisitos legales aplicables. **PL** Dłże procedurę instalacji, konserwacji i smaltimento deve occuparsi esclusivamente personale competente e autorizzato, nel rispetto delle istruzioni operative, delle norme pertinenti, dei regolamenti e dei requisiti legali vigenti. **PT** A instalação, a manutenção e a eliminação devem apenas executar-se por pessoal autorizado e competente, em conformidade com as instruções de funcionamento, com as normas e regulamentos relevantes e com os requisitos legais. **RU** Η εγκατάσταση, η συντήρηση και η απόρριψη πρέπει να εκτελεστεί μόνο από αρμόδιο και εξουσιοδοτημένο προσωπικό, σύμφωνα με τις οδηγίες χρήσης, τα σχετικά πρότυπα, τους κανονισμούς και τις νόμιμες απαιτήσεις. **SE** Installation, underhåll och bortskaffande får endast utföras av behörig och auktoriserad personal och ska ske i enlighet med alla driftanvisningar, tillämpliga standarder, föreskrifter och andra juridiska krav. **SK** Instalacej, vodorohod a vyhadzovanie skai kun ufaras av kompetentí a autorizovaní personali i herhold til driftinstrukcioner, relevante standarder, regelverk og lovmæssige krav. **TR** Installation, vedligeholdelse og bortskaffelse må kun udføres af kompetent og autoriseret personale i henhold til betjeningsvejledningen, relevante standarder, bestemmelser og lovmæssige krav. **UK** Асамування, ухолод та кийоріщення повинні виконуватися тільки кваліфікованими та авторизованими персоналами відповідно до інструкцій з експлуатації, відповідних стандартів, нормативних актів та вимог законодавства. **US** Installation, maintenance and authorized disposal to be carried out by competent personnel only, in accordance with operating instructions, relevant standards, regulations and legal requirements. **VI** Lắp đặt, bảo trì và xử lý chất thải chỉ được thực hiện bởi nhân viên có chuyên môn và được ủy quyền, tuân thủ các hướng dẫn vận hành, các tiêu chuẩn, quy định và các yêu cầu pháp lý có liên quan. **ZH** 安装、维护和处置应由合格人员按照操作说明、相关标准、法规和法规要求进行。

*Filter Model	Connections (NPT)			Flow Rate**		Dimensions Inches (mm)					Weight	
	In/Out	Side	Bottom	SCFM	Nm³/h	A	B	C	D	E	lbs	Kg
1	1/4"	N/A	1/4"	20	34	2.83 (72)	1.38 (35)	7.32 (186)	2.95 (75)	N/A	1.4	0.6
2	3/8"	N/A	1/4"	30	51	2.83 (72)	1.38 (35)	7.32 (186)	2.95 (75)	N/A	1.4	0.6
3	1/2"	1/4"	1/4"	65	110	4.33 (110)	1.50 (38)	10.75 (273)	5.98 (152)	1.30 (33)	5.4	2.5
4	3/4"	1/4"	1/4"	75	128	4.33 (110)	1.50 (38)	10.75 (273)	5.98 (152)	1.30 (33)	5.4	2.5
5	1"	1/4"	1/4"	100	170	4.33 (110)	1.50 (38)	14.09 (358)	5.98 (152)	1.30 (33)	6.1	2.8
6	1"	1/4"	1/4"	150	255	4.33 (110)	1.50 (38)	14.09 (358)	5.98 (152)	1.30 (33)	6.0	2.7
7	1 1/2"	1/2"	1/4"	225	382	5.75 (146)	2.01 (51)	19.06 (484)	6.50 (165)	1.65 (42)	12.2	5.5
8	1 1/2"	1/2"	1/4"	300	510	5.75 (146)	2.01 (51)	19.06 (484)	6.50 (165)	1.65 (42)	12.3	5.6
9	2"	1/2"	1/4"	450	765	5.75 (146)	2.01 (51)	19.06 (484)	6.50 (165)	1.65 (42)	12.3	5.6
10	2"	1/2"	1/4"	650	1105	5.75 (146)	2.01 (51)	26.97 (685)	6.50 (165)	1.65 (42)	14.8	6.7
11	3"	1/2"	1/4"	1000	1700	9.06 (230)	2.68 (68)	28.43 (722)	7.01 (178)	1.65 (42)	40.6	18.5
12	3"	1/2"	1/4"	1250	2125	9.06 (230)	2.68 (68)	33.23 (844)	7.01 (178)	1.65 (42)	44.1	20.0
13	3"	1/2"	1/4"	1500	2550	9.06 (230)	2.68 (68)	39.06 (992)	7.01 (178)	1.65 (42)	48.3	22.0

\*Grades available are 5.0 µ (general purpose point of use), 1.0 µ (coalescing/particulate), 0.01 µ (high efficiency coalescing), and activated carbon vapor removal. \*\*Flow rates are based upon 100 psig inlet pressure. For flow rates at other operating pressures, obtain correction factor from chart above.

*Filter Model	Connections (NPT)			Flow Rate**		Dimensions Inches (mm)				Weight	
	In/Out	Side	Bottom	SCFM	Nm³/h	A	B	C	D	lbs	Kg
14	1/4"	N/A	1/4"	20	34	2.83 (72)	5.94 (151)	5.94 (151)	2.95 (75)	1.9	0.9
15	3/8"	N/A	1/4"	30	51	2.83 (72)	5.94 (151)	5.94 (151)	2.95 (75)	1.9	0.9

\*\*Flow rates are based upon 100 psig inlet pressure. For flow rates at other operating pressures, obtain correction factor from chart above. \*\*\*Includes 1 ea. of 0.01 µ (high efficiency coalescing) and activated carbon vapor removal grade element.

**WARNING**  
The filter housing is not PED 97/23/EC compliant. If PED 97/23/EC compliance is required, please contact us for further information and availability.